



REF. 10090

FEATURES

IP: 20

Installation: Trimless

Depth: 51 mm

Light Direction: Fixed

Minimum distance to lightened objects: 0.5 m

Protection class: Class II

Cut out: 140x130 mm

COLOR TEMPERATURE

2700K

3000K

4000K

REMOTE DIMMABLE OPTIONS

1..10V

PUSH

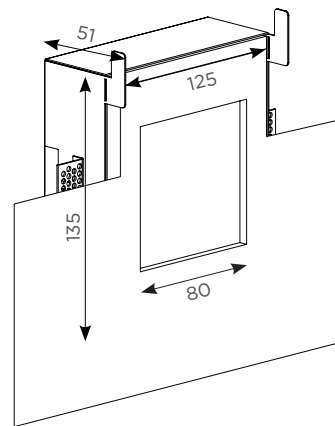
DALI


PHASE CUT

OPTIC COVER

FROSTED CRYSTAL

MEASURES



REF	3000 K
 140x130 mm	
10090.02.3K	LED CUTIER
350 mA	3,2 W
	304 lm

Date: _____

Company: _____

Project: _____

Quantity: _____

Features: _____



Partida Madrigueres Sud 11
03700 DENIA (Alicante) SPAIN
TEL.0034-965 781 218

www.bpmlighting.com